

BROWN CONSULTING ENGINEERS, INC.

3505 OLSEN • SUITE 110
AMARILLO, TEXAS 79109

(806) 354-0141
FAX: (806) 354-0142

July 21, 2017

BCE, Inc. Project #21723

Memo to: John Jenkins, Lavin Associates, Inc.

From: Seth A. McClellan, P.E.

Subject: A New Building for Maxor Mail Order
Addendum #3

Please forward the following addendum to the contractor for inclusion in the project.

MECHANICAL

- Item 1: Sheet M1.1: Provide and install equipment as indicated on attached sketch SKM1.1b.
- Item 2: Sheet M2.1: Provide equipment as indicated in schedules on attached sketch SKM2.1a.
- Item 3: Specification Section 15850: Add the following paragraph:

2.4 LOUVERS

- F. Manufacturers:
 - 1. Pottorff
 - 2. Ruskin
 - 3. Greenheck
 - 4. NCA
- G. Type: 6 inch deep with blades on 37.5 degree slope, heavy channel frame, insect screen.
- H. Fabrication: 12 gage thick extruded aluminum, welded assembly, with factory anodized finish. Color to be selected by architect.
- I. Mounting: Furnish with exterior flat flange for installation.

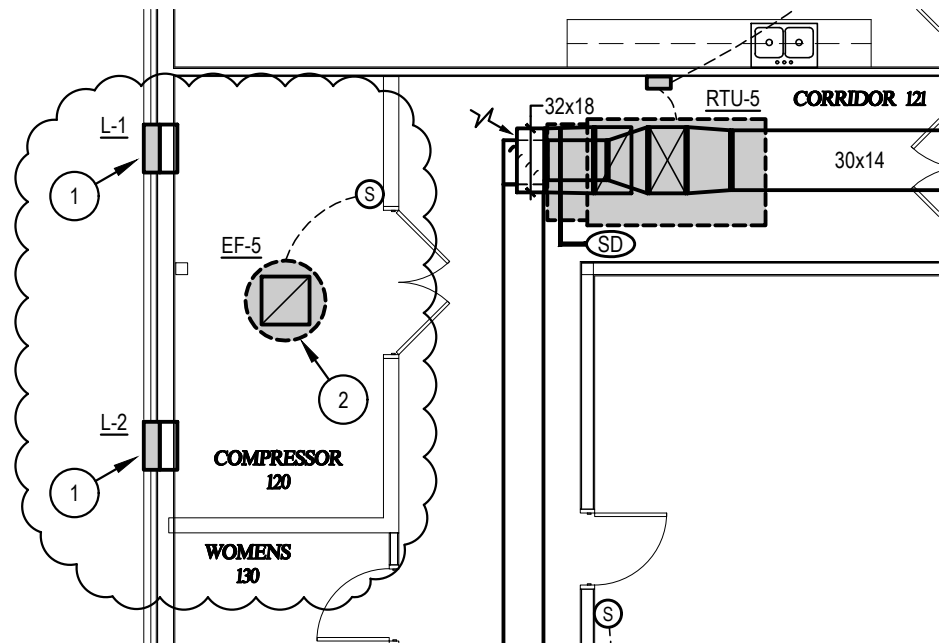
PLUMBING

- Item 1: Sheet P1.2: Revise and install waste piping as indicated on attached sketch SKP1.2a.
- Item 2: Sheet P1.4: Revise and install domestic water piping as indicated on attached sketch SKP1.4a.

End of Addendum #3



July 21, 2017
Texas Registered Engineering Firm
F-683



SCALE: 1/8"=1'-0"

KEYED NOTES:

- 1 INSTALL BOTTOM OF LOUVER AT 24 INCHES AFF. CONNECT FULL SIZE DUCT TO BACK OF SLEEVE AND INSTALL 24x24 FLANDERS MODEL FASEAL FILTER FRAME ON INTERIOR SIDE OF WALL TO HOUSE 24x24x2 PLEATED FILTER MEDIA.
- 2 EXTEND FULL SIZE EXHAUST DUCT DOWN THRU ROOF AND TERMINATE AT 18 INCHES BELOW ROOF DECKING. INSTALL 1/2 INCH FLATTENED EXPANDED METAL ON OPEN END OF DUCT. CONNECT 2 CONDUCTOR, 18 AWG CONTROL WIRING TO 24V RELAY FOR FAN OPERATION BY BUILDING EMS. DIVISION 16 TO PROVIDE RELAY. TEMPERATURE CONTROLS CONTRACTOR TO PROVIDE CONTROLLER AND SPACE TEMPERATURE SENSOR. FAN TO OPERATE WHEN SPACE TEMP IS ABOVE 85 DEGREES (ADJUSTABLE).



BROWN CONSULTING ENGINEERS INC.
3505 Olsen • Suite 110 • Amarillo, Texas 79109
Texas Registered Engineering Firm F-683



July 21, 2017

**A New Building for
Maxor Mall Order
4th Avenue & Tyler St.
Amarillo, Tx**
SHEET SKM1.1b
DATE: 7-21-17
Addendum #3

LOUVER SCHEDULE

MARK	TYPE	SIZE (WxHxD)	FREE AREA (FT ²)	FINISH	FRAME	EXAMPLE: POTTORFF
L-1	INTAKE	24x24x6	2.0	ANODIZED	FLANGE	EFD-637
L-2	INTAKE	24x24x6	2.0	ANODIZED	FLANGE	EFD-637

- NOTES:
1. COLOR TO BE SELECTED BY ARCHITECT.
 2. PROVIDE WITH INSIDE INSECT SCREEN.
 3. PROVIDE WITH 16 INCH SLEEVE AND INTEGRAL BARRIER BARS.

FAN SCHEDULE

MARK	CFM	SP	HP (WATTS)	RPM	TYPE	DRIVE	ELECTRICAL	MAX SONES	EXAMPLE: COOK
EF-1	1050	0.5	1/6	1323	PRV	BELT	115/1/60	7.3	ACEB-135C2B
EF-2	800	0.4	1/6	1103	PRV	BELT	115/1/60	6.1	ACEB-120C2B
EF-3	800	0.25	1/6	775	PRV	BELT	115/1/60	3.8	ACEB-120C2B
EF-4	1500	0.25	1/4	706	PRV	BELT	115/1/60	5.2	ACEB-165C3B
EF-5	3000	0.4	1/2	794	PRV	BELT	115/1/60	9.2	ACRUB-195R5B
SF-1	275	0.4	(87)	1455	INLINE	DIRECT	115/1/60	4.0	GN-542

- NOTES:
1. FANS SELECTED AT ELEVATION OF 3600 FEET.
 2. PROVIDE SF-1 WITH FAN SPEED CONTROLLER, FACTORY FILTER BOX, AND 1" FILTER.
 3. PROVIDE ALL FANS WITH FACTORY WIRED DISCONNECT.
 4. PROVIDE ALL ROOF MOUNTED FANS WITH 18" ROOF CURB AND BACKDRAFT DAMPER.
 5. PROVIDE ALL ROOF MOUNTED FANS WITH BELT TENSIONER AND EXTENDED LUBE LINES.

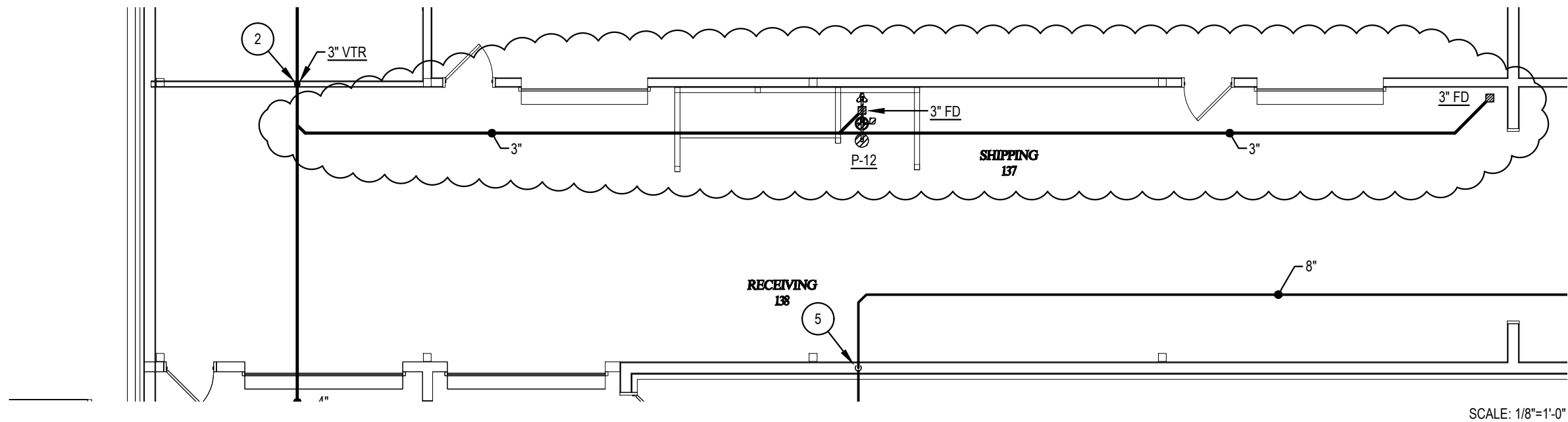


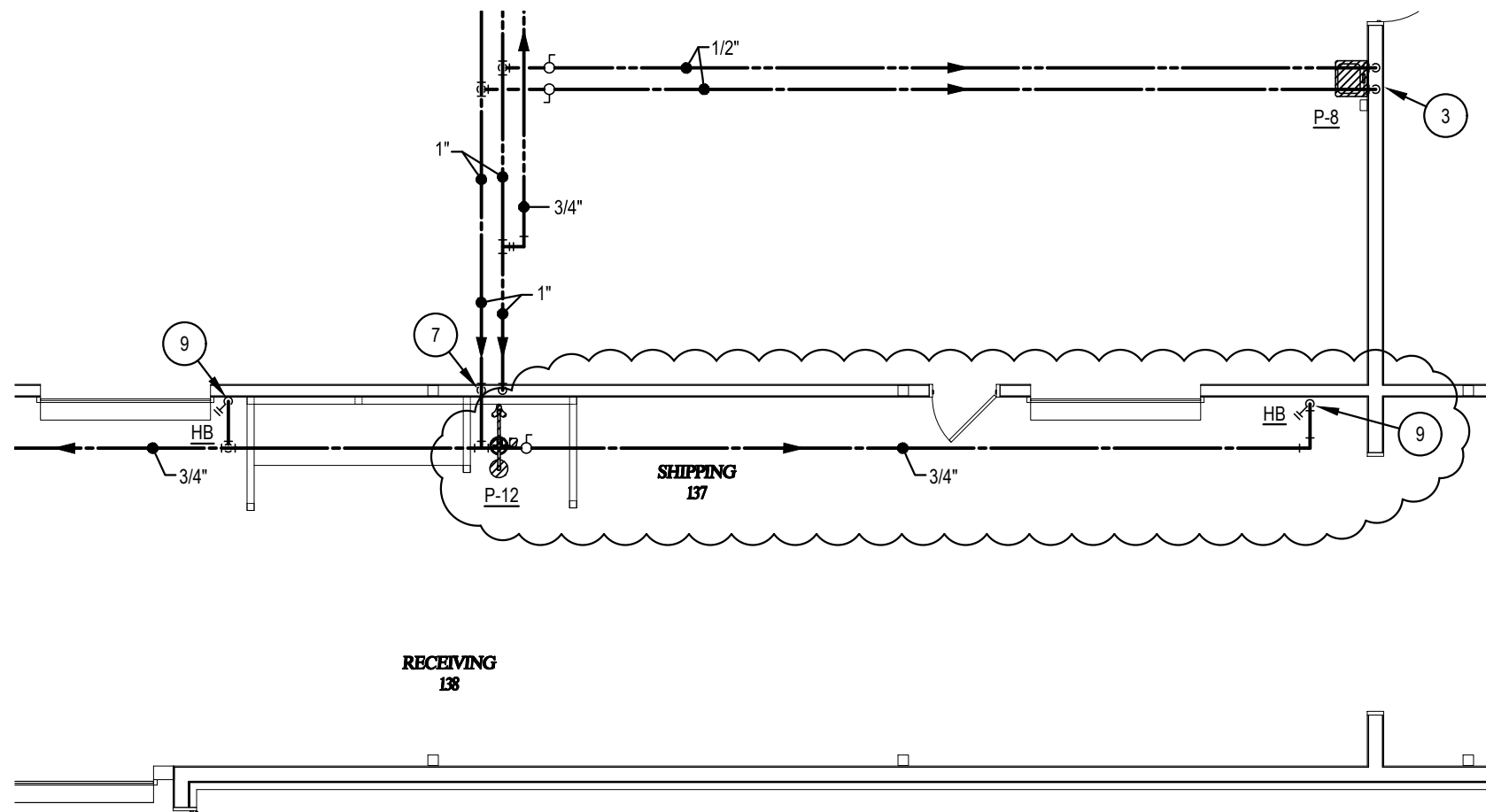
3505 Olsen • Suite 110 • Amarillo, Texas 79109
Texas Registered Engineering Firm F-683



July 21, 2017

**A New Building for
Maxor Mall Order
4th Avenue & Tyler St.
Amarillo, Tx
SHEET SKM2.1a
DATE: 7-21-17
Addendum #3**





SCALE: 1/8"=1'-0"



**BROWN
CONSULTING
ENGINEERS INC.**

3505 Olsen • Suite 110 • Amarillo, Texas 79109
Texas Registered Engineering Firm F-683



July 21, 2017

**A New Building for
Maxor Mail Order
4th Avenue & Tyler St.
Amarillo, Tx
SHEET SKP1.4a
DATE 7-21-17
Addendum #3**